

ASSP Image Processing

BIPOLAR

D/A Converter (1-ch, 8-bit, 60 MSPS)

MB40768H

■ DESCRIPTION

The MB40768H is a low-power and high-speed 8-bit D/A converter.

The digital input is TTL compatible and the analog output voltage is 3 to 5 V. Maximum conversion speed is 60 MHz. The internal reference voltage provided has two types of resistor division scheme and band-gap reference scheme; the external reference voltage may also be used.

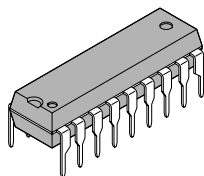
The MB40768H is suitable for high-definition TV or VCR application.

■ FEATURES

- Resolution: 8 bits
- Conversion characteristics: Maximum conversion rate: 60 MSPS [min.]
Linearity error: $\pm 0.2\%$ [max.]
- I/O: Digital input voltage: TTL level
Analog output voltage: $2V_{P-P}$ (3 to 5 V)
- Reference voltage: V_{ROUT1} : Resistor division circuit ($0.6 \times V_{CCA}$)
 V_{ROUT2} : Band-gap reference circuit ($V_{CCA} - 2\text{ V}$)
- Power supply voltage: +5 V single power supply
- Power consumption: 160 mW [typical value for the analog output voltage of $2 V_{P-P}$]
120 mW [typical value for the analog output voltage of $1 V_{P-P}$]

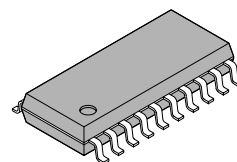
■ PACKAGES

18-pin Plastic DIP



(DIP-18P-M02)

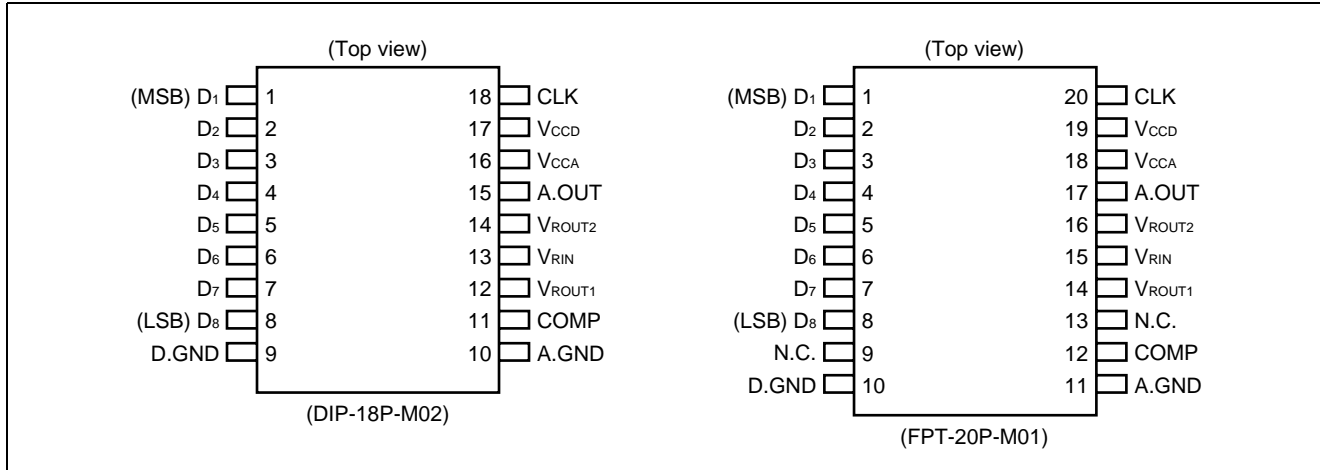
20-pin Plastic SOP



(FPT-20P-M01)

MB40768H

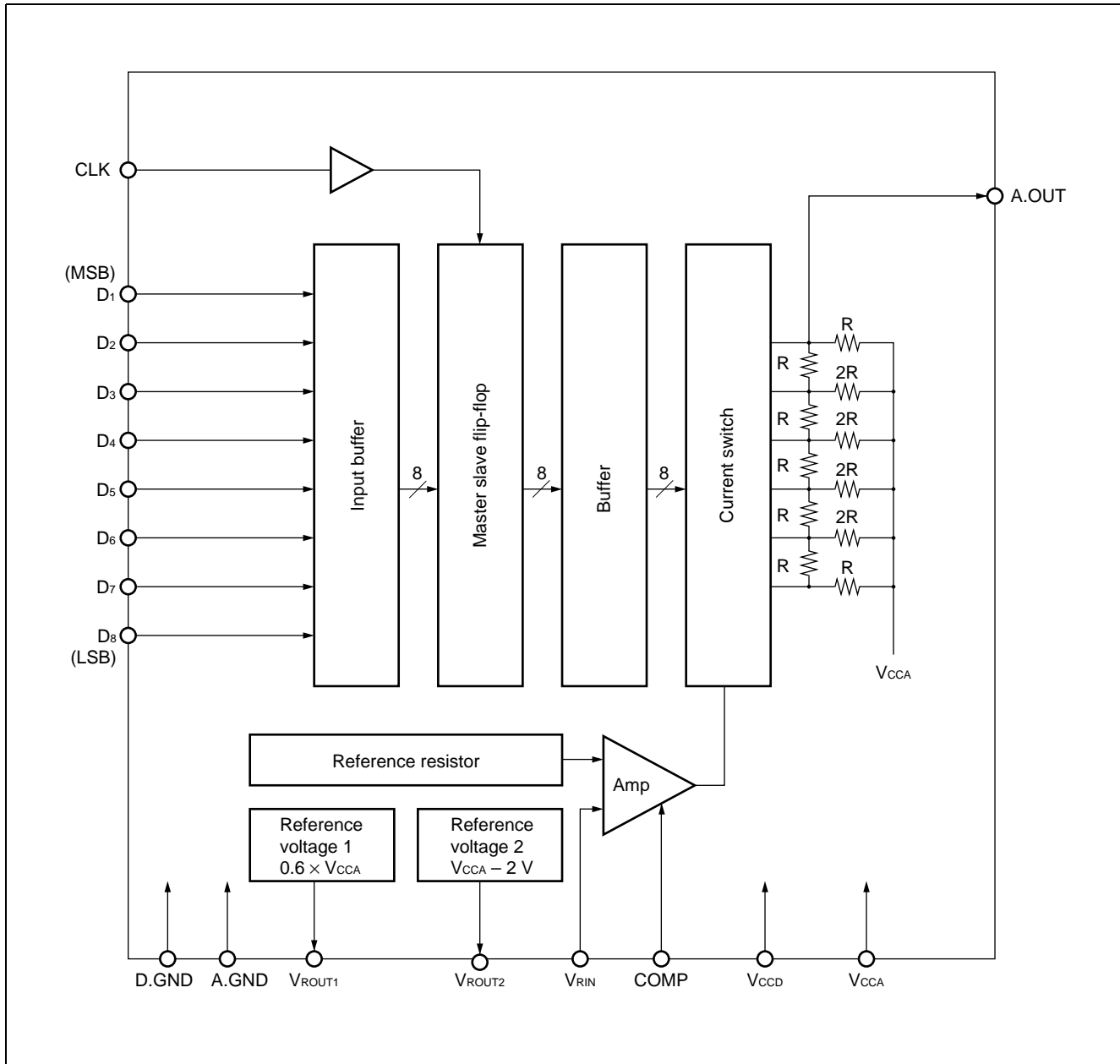
PIN ASSIGNMENTS



PIN DESCRIPTIONS

Pin No.		Pin name	I/O	Description
DIP	SOP			
1 to 8	1 to 8	D ₁ to D ₈	I	Input pins for data signals (D ₁ : MSB, D ₈ : LSB)
18	20	CLK	I	Input pin for clock signal
17	19	V _{CCD}	—	Digital power supply pin (+5 V)
16	18	V _{CCA}	—	Analog power supply pin (+5 V)
9	10	D.GND	—	Digital ground pin (0 V)
10	11	A.GND	—	Analog ground pin (0 V)
13	15	V _{RIN}	I	Reference voltage input pin. Used for setting dynamic range for analog output. Connect this pin with either V _{ROUT1} or V _{ROUT2} pin when using the internal reference voltage. When using the external reference voltage, use it within the range of 2.65 to 4.3 V or for the V _{CCA} – V _{RIN} range of 0.7 to 2.2 V.
12	14	V _{ROUT1}	O	Reference voltage output pin 1. Resistance division reference voltage, with its output voltage set to 0.6 × V _{CCA} . This pin, if connected with the V _{RIN} pin, provides V _{CCA} analog output voltage at 0.6 × V _{CCA} .
14	16	V _{ROUT2}	O	Reference voltage output pin 2. Band-gap reference voltage, with its output voltage set to V _{CCA} – 2 [V]. This pin, if connected with the V _{RIN} pin, provides the V _{CCA} analog output voltage at V _{CCA} 1 – 2 [V].
11	12	COMP	—	Phase compensated capacitance pin. Insert the capacitance of 0.1 μF or more between this pin and the A.GND for the phase compensated capacitance.
15	17	A.OUT	O	Analog signal output pin
—	9, 13	N.C.	—	No connection pins

■ BLOCK DIAGRAM



MB40768H

■ ABSOLUTE MAXIMUM RATINGS (See WARNING)

(A.GND = D.GND = 0 V)

Parameter		Symbol	Rating	Units
Power supply voltage	Analog power supply voltage	V_{CCA}	-0.5 to +7.0	V
	Digital power supply voltage	V_{CCD}	-0.5 to +7.0	V
	Power supply voltage difference	$V_{CCD} - V_{CCA}$	1.5	V
Digital signal input voltage		V_{ID}	-0.5 to +7.0	V
Storage temperature		T_{stg}	-55 to +125	°C

WARNING: Permanent device damage may occur if the above **Absolute Maximum Ratings** are exceeded. Functional operation should be restricted to the conditions as detailed in the operational sections of this data sheet. Exposure to absolute maximum rating conditions for extended periods may affect device reliability.

■ RECOMMENDED OPERATING CONDITIONS

(A.GND = D.GND = 0 V)

Parameter		Symbol	Value			Units
			Min.	Typ.	Max.	
Power supply voltage	Analog power supply voltage	V_{CCA}	4.75	5.00	5.25	V
	Digital power supply voltage	V_{CCD}	4.75	5.00	5.25	V
	Power supply voltage difference	$V_{CCA} - V_{CCD}$	-0.2	—	0.2	V
Analog reference voltage		$V_{CCA} - V_{RIN}$	0.70	2.00	2.20	V
		V_{RIN}	2.65	3.00	4.30	V
Digital High level input voltage		V_{IHD}	2.0	—	—	V
Digital Low level input voltage		V_{ILD}	—	—	0.8	V
Clock frequency		f_{CLK}	—	—	60	MHz
Setup time		t_{su}	8	—	—	ns
Hold time		t_h	2	—	—	ns
High level minimum pulse width		t_{wH}	6.5	—	—	ns
Low level minimum pulse width		t_{wL}	6.5	—	—	ns
Phase compensated capacitance		C_{COMP}	0.1	—	—	μF
Operating ambient temperature		Top	-20	—	+75	°C

■ ELECTRIC CHARACTERISTICS

1. DC Characteristics

($V_{CCA} = V_{CCD} = 4.75\text{ V to }5.25\text{ V}$, A.GND = D.GND = 0 V, $T_a = -20^\circ\text{C to }+75^\circ\text{C}$)

Parameter	Symbol	Condition	Value			Units	
			Min.	Typ.	Max.		
Resolution	—	—	—	—	8	bit	
Linearity error	LE	DC precision	—	—	± 0.2	%	
Digital High level input current	I_{IHD}	$V_{IHD} = 2.7\text{ V}$	—	—	20	μA	
Digital Low level input current	I_{ILD}	$V_{ILD} = 0.4\text{ V}$	-100	—	—	μA	
Reference input current	I_{RIN}	$V_{RIN} = 3.000\text{ V}$	—	—	10	μA	
Resistance division method	Reference voltage	V_{ROUT1} $V_{CCA} = 5.00\text{ V}$ $V_{CCD} = 5.00\text{ V}$	2.900	3.000	3.100	V	
Band-gap reference method	Reference voltage	V_{ROUT2}	—	$V_{CCA} - 2.100$	$V_{CCA} - 2.000$	$V_{CCA} - 1.900$	V
	Temperature coefficient	—	—	—	100	—	ppm/ $^\circ\text{C}$
Full-scale output voltage	V_{OFS}	—	$V_{CCA} - 20$	V_{CCA}	—	mV	
Zero-scale output voltage	V_{OZS}	$V_{CCA} = 5.00\text{ V}$ $V_{CCD} = 5.00\text{ V}$ $V_{RIN} = 3.000\text{ V}$	2.938	3.008	3.078	V	
Output resistance	R_o	$T_a = +25^\circ\text{C}$	192	240	288	Ω	
Current consumption	I_{CC}	$V_{CCA} = 5.25\text{ V}$ $V_{CCD} = 5.25\text{ V}$ $V_{RIN} = V_{ROUT1}$	—	32*	56	mA	

* : $V_{CCA} = V_{CCD} = 5\text{ V}$

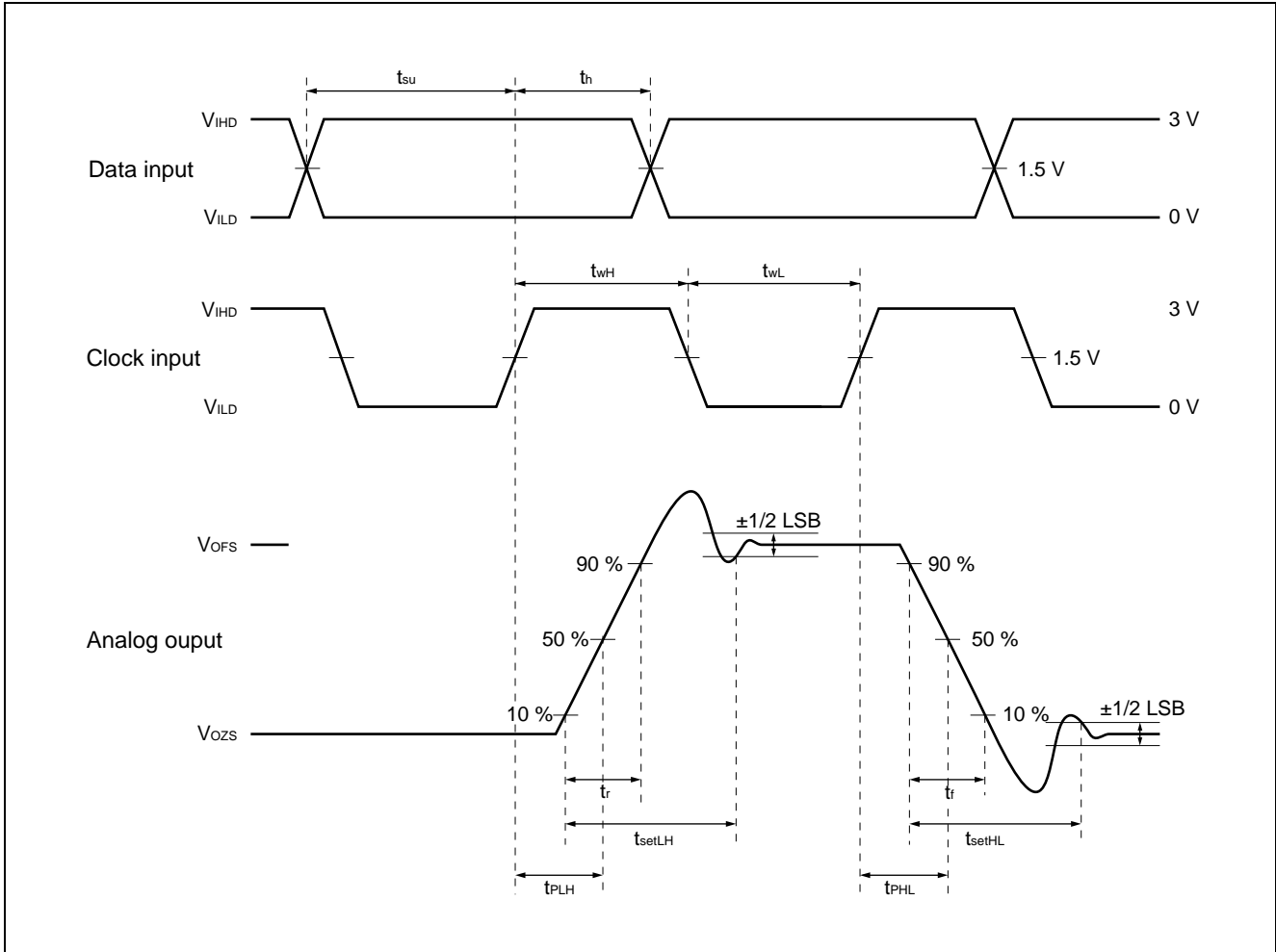
2. AC Characteristics

($V_{CCA} = V_{CCD} = 4.75\text{ V to }5.25\text{ V}$, A.GND = D.GND = 0 V, $T_a = -20^\circ\text{C to }+75^\circ\text{C}$)

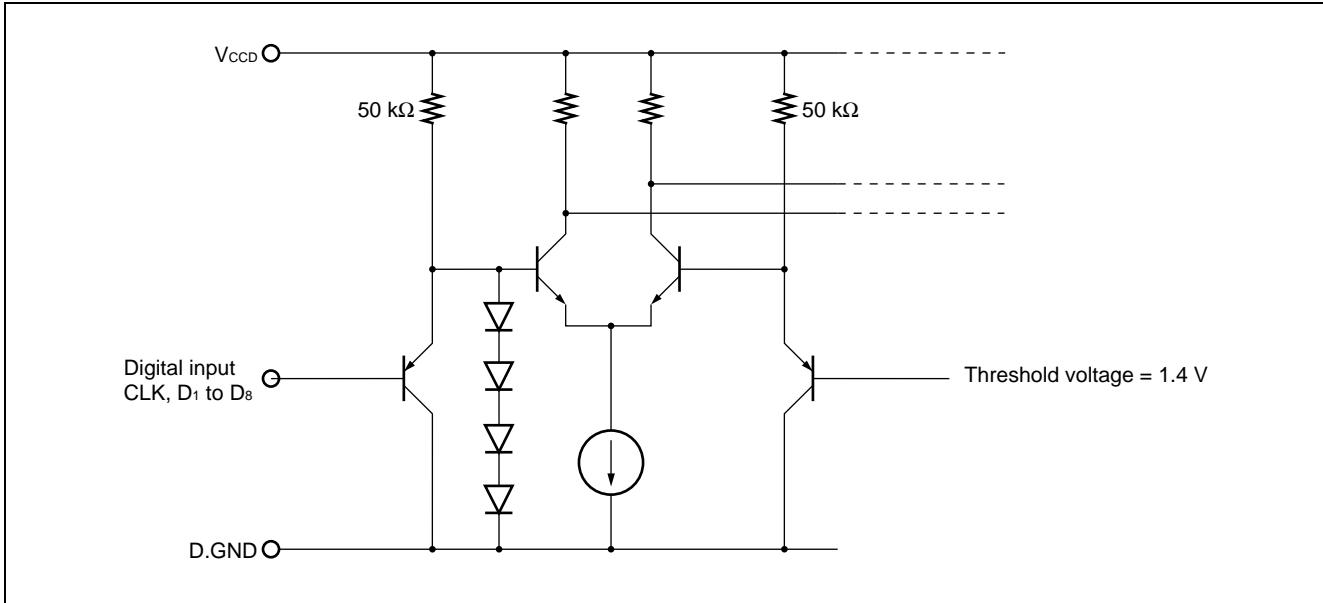
Parameter	Symbol	Condition	Value			Units
			Min.	Typ.	Max.	
Maximum conversion rate	F_s	$C_L = 15\text{ pF}$ Terminal resistance at A.OUT pin = 240 Ω	60	—	—	MSPS
Output propagation time	t_{pd}		—	7	—	ns
Output rise time	t_r		—	5	—	ns
Output fall time	t_f		—	5	—	ns
Settling time	t_{set}		—	15	—	ns

MB40768H

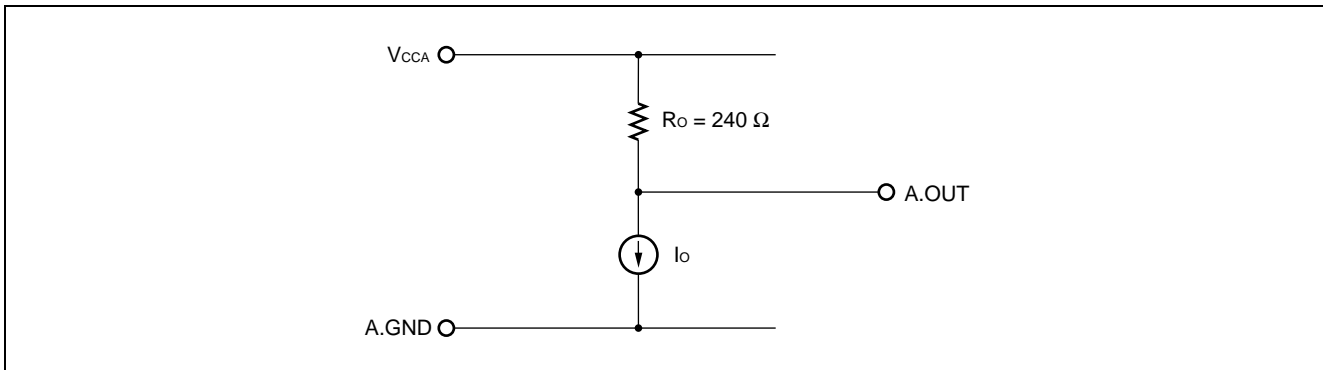
■ TIMING DIAGRAM



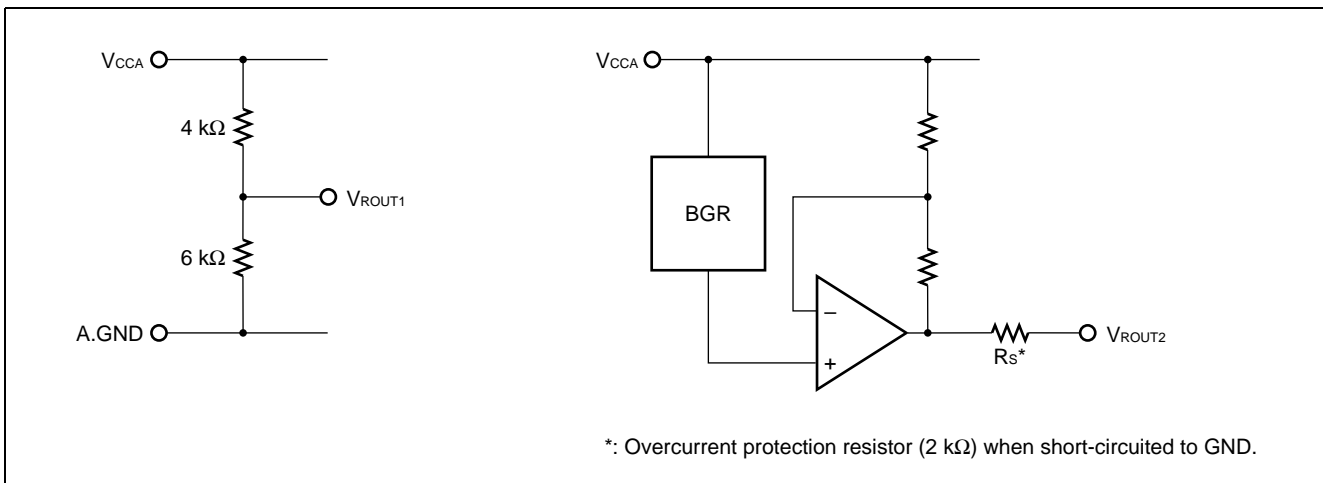
■ DIGITAL INPUT EQUIVALENT CIRCUIT



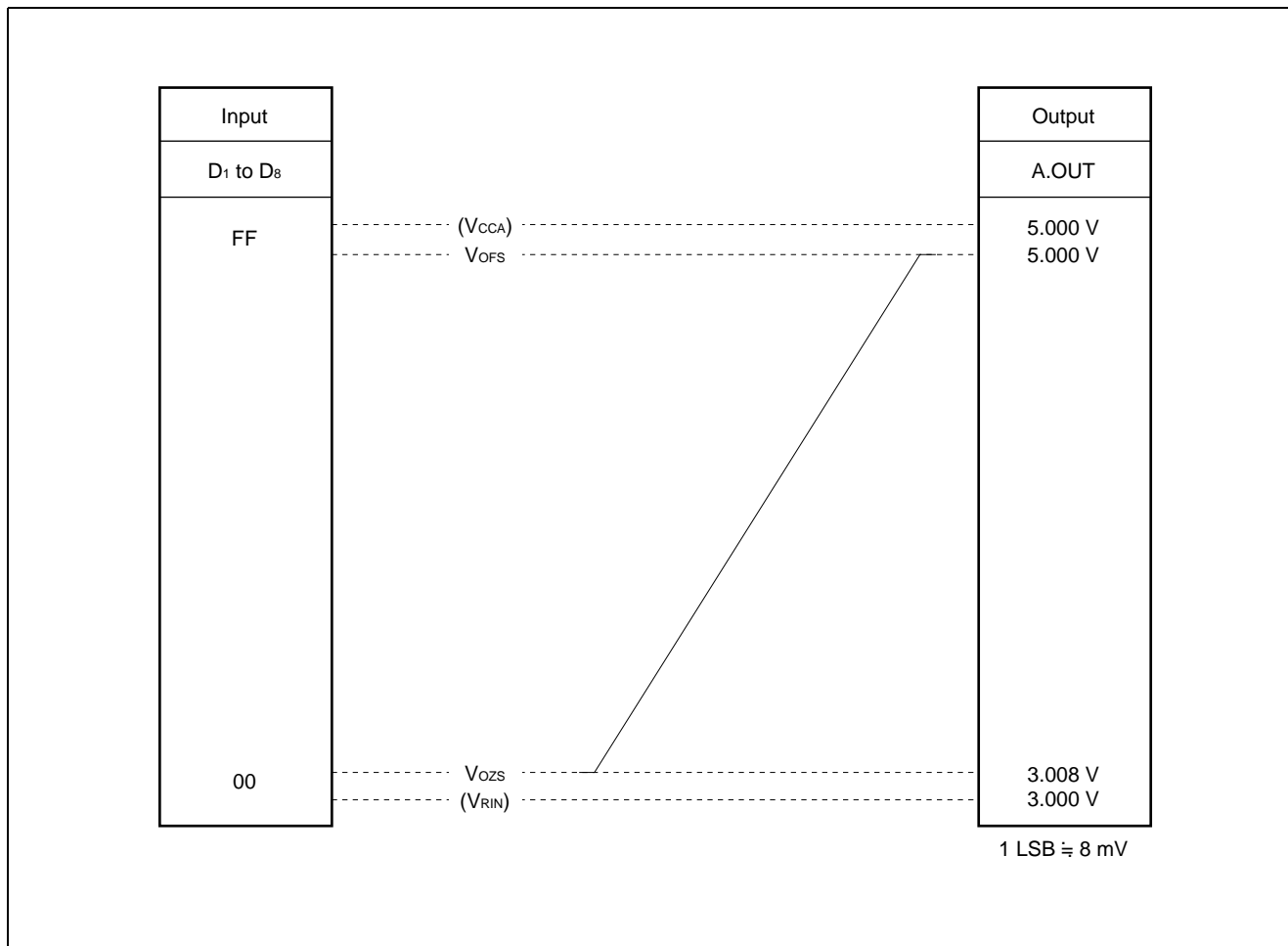
■ ANALOG OUTPUT EQUIVALENT CIRCUIT



■ REFERENCE VOLTAGE OUTPUT EQUIVALENT CIRCUIT



■ DAC OUTPUT VOLTAGE CHARACTERISTIC



■ EQUATION FOR IDEAL DAC OUTPUT VOLTAGE

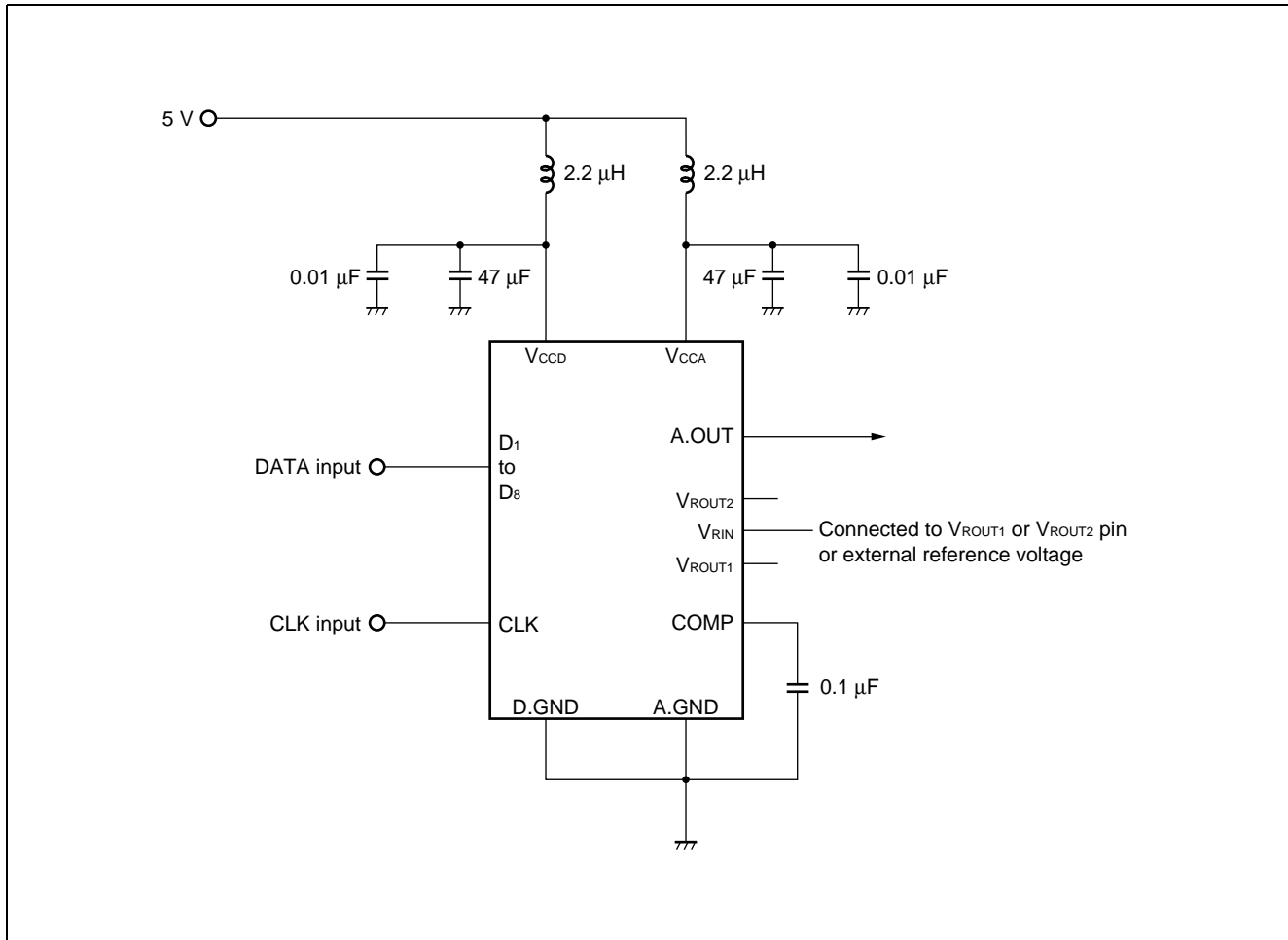
$$A.OUT = V_{CCA} - \frac{255 - N}{256} \times (V_{CCA} - V_{RIN})$$

(N: digital input code for 0 to 255)

$$V_{OFS} = V_{CCA}$$

$$V_{OZS} = V_{CCA} - \frac{255}{256} \times (V_{CCA} - V_{RIN})$$

■ STANDARD EXAMPLE OF CONNECTION



■ NOTES ON USAGE

- **Countermeasures for switching noise**

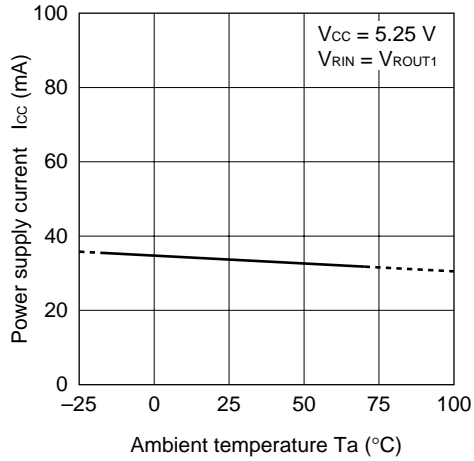
To prevent the switching noise riding on the analog output signal to the maximum possible extent, insert the noise limiting capacitor between VCCA-A.GND pins, and between VCCD-D.GND pins closest as possible to the IC pins.

- **Power supply patterns**

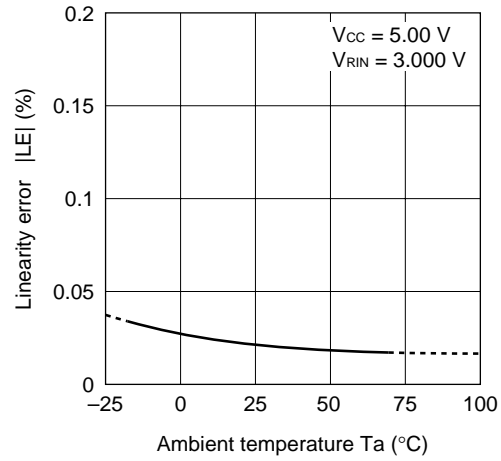
To reduce parasitic impedance, use the patterns as wide as possible to be connected to the VCCA, VCCD, A.GND and D.GND pins.

TYPICAL CHARACTERISTIC CURVES

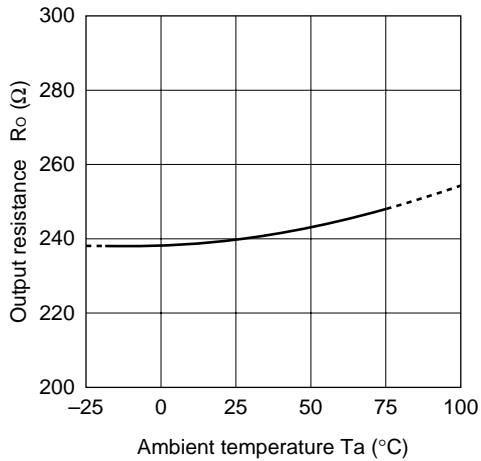
1. Power supply current vs Ambient temperature



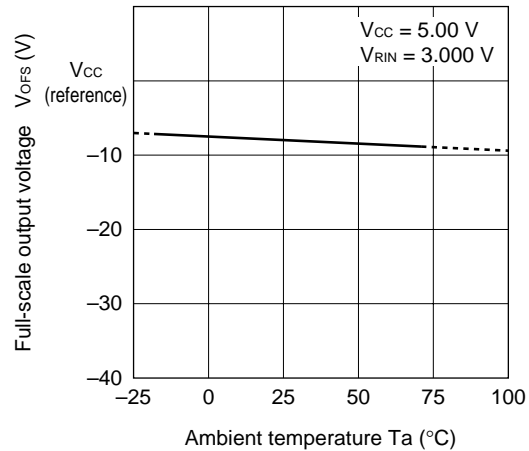
2. Linearity error vs Ambient temperature



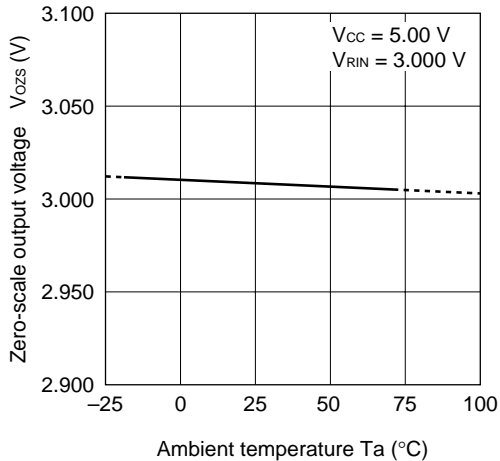
3. Output resistance vs Ambient temperature



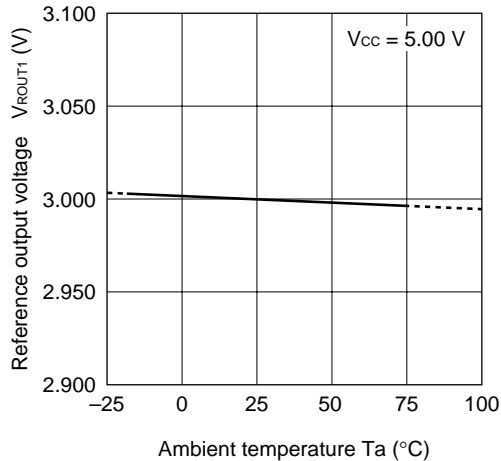
4. Full-scale output voltage vs Ambient temperature



5. Zero-scale output voltage vs Ambient temperature



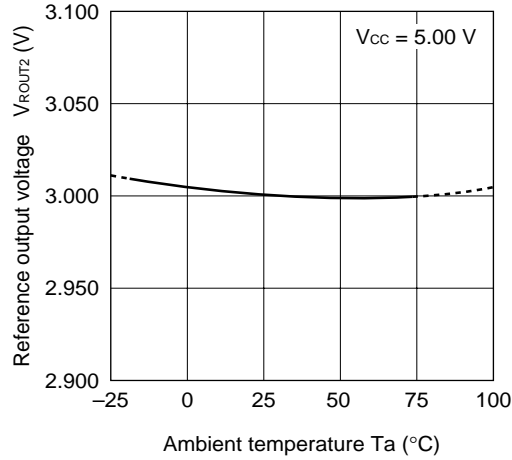
6. VROUT1 reference output voltage vs Ambient temperature



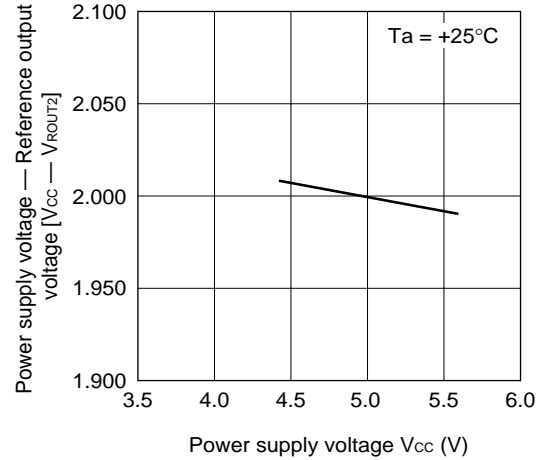
(Continued)

(Continued)

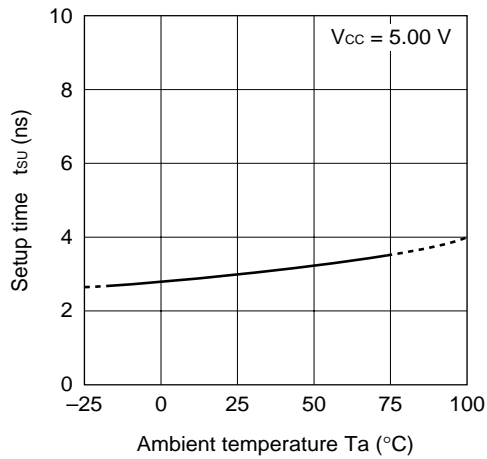
7. VR_{OUT2} reference output vs Ambient temperature



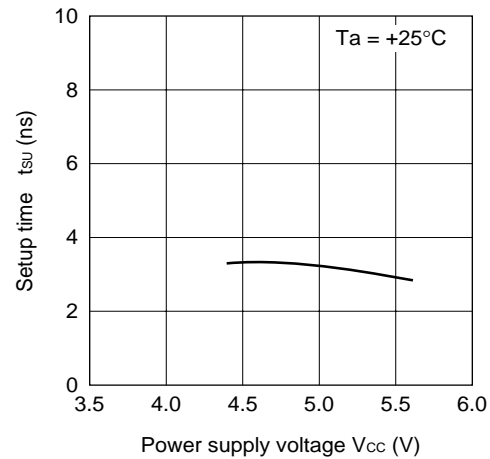
8. VR_{OUT2} reference output voltage vs Power supply voltage



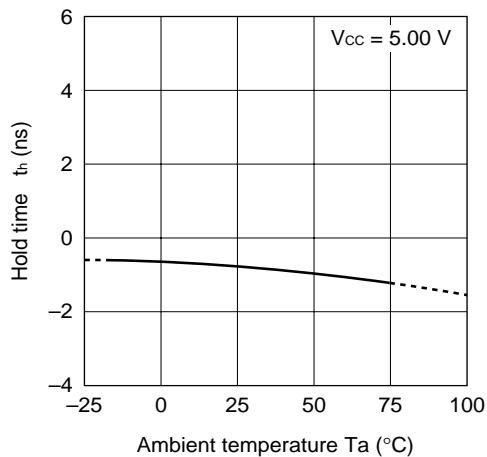
9. Setup time vs Ambient temperature



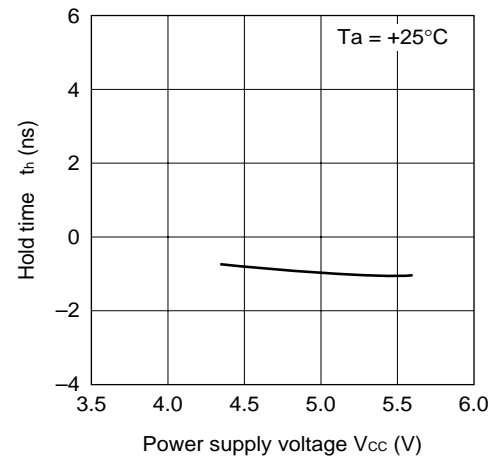
10. Setup time vs Power supply voltage



11. Hold time vs Ambient temperature



12. Hold time vs Power supply voltage

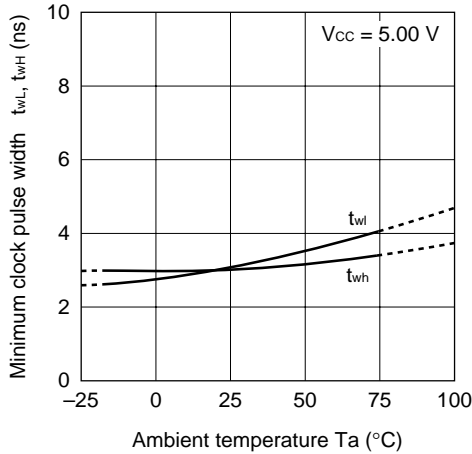


(Continued)

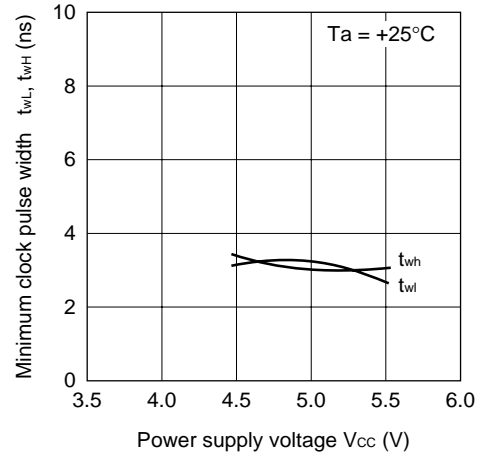
MB40768H

(Continued)

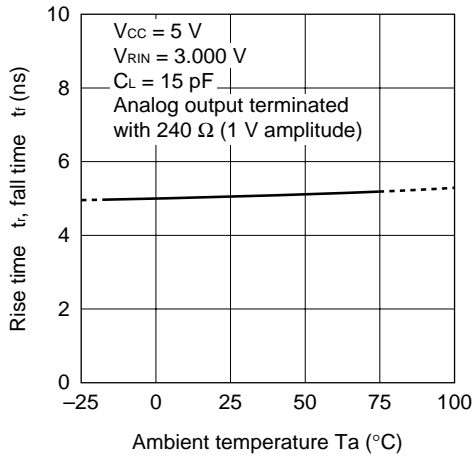
13. Minimum clock pulse width vs Ambient temperature



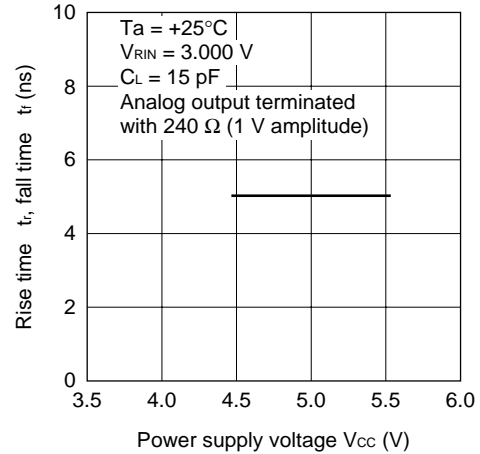
14. Minimum clock pulse width vs Power supply voltage



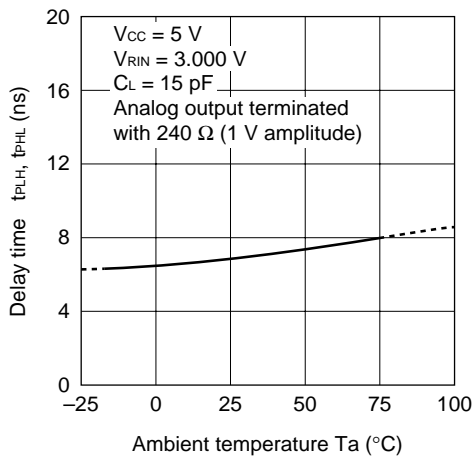
15. Rise time, Fall time vs Ambient temperature



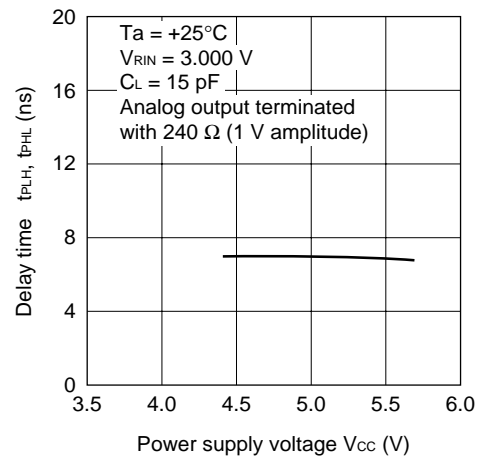
16. Rise time, Fall time vs Power supply voltage



17. Delay time vs Ambient temperature



18. Delay time vs Power supply voltage



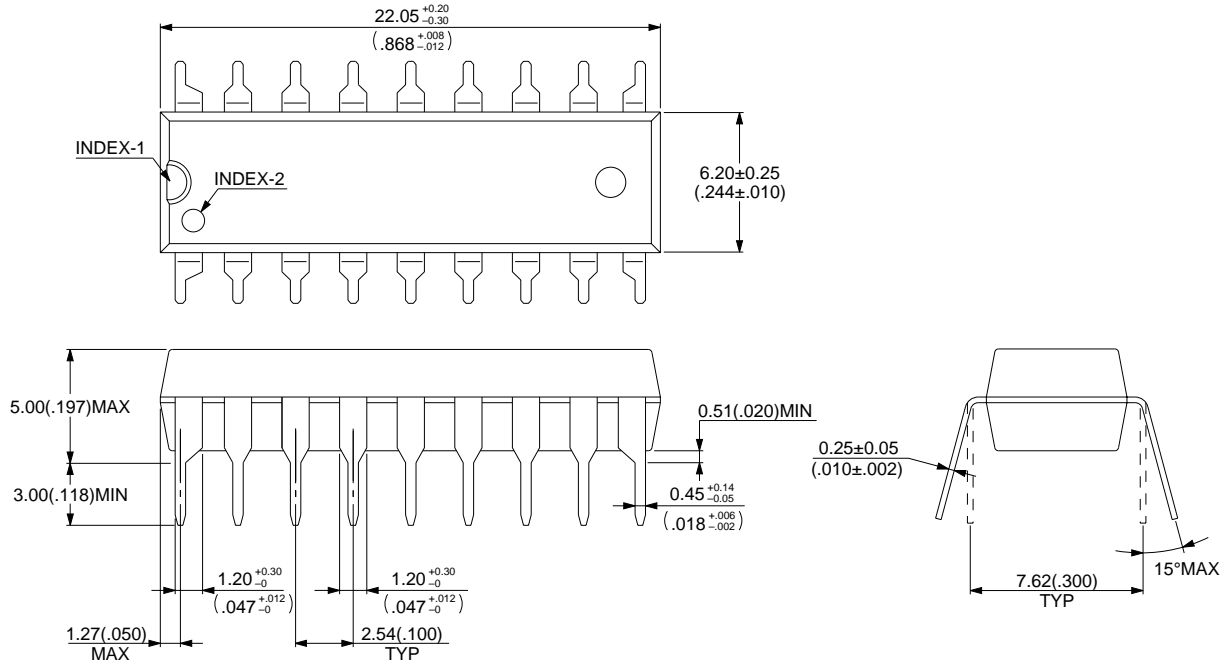
■ ORDERING INFORMATION

Part number	Package	Remarks
MB40768HP	18-pin Plastic DIP (DIP-18P-M02)	
MB40768HPF	20-pin Plastic SOP (FPT-20P-M01)	

MB40768H

■ PACKAGE DIMENSIONS

18-pin Plastic DIP
(DIP-18P-M02)



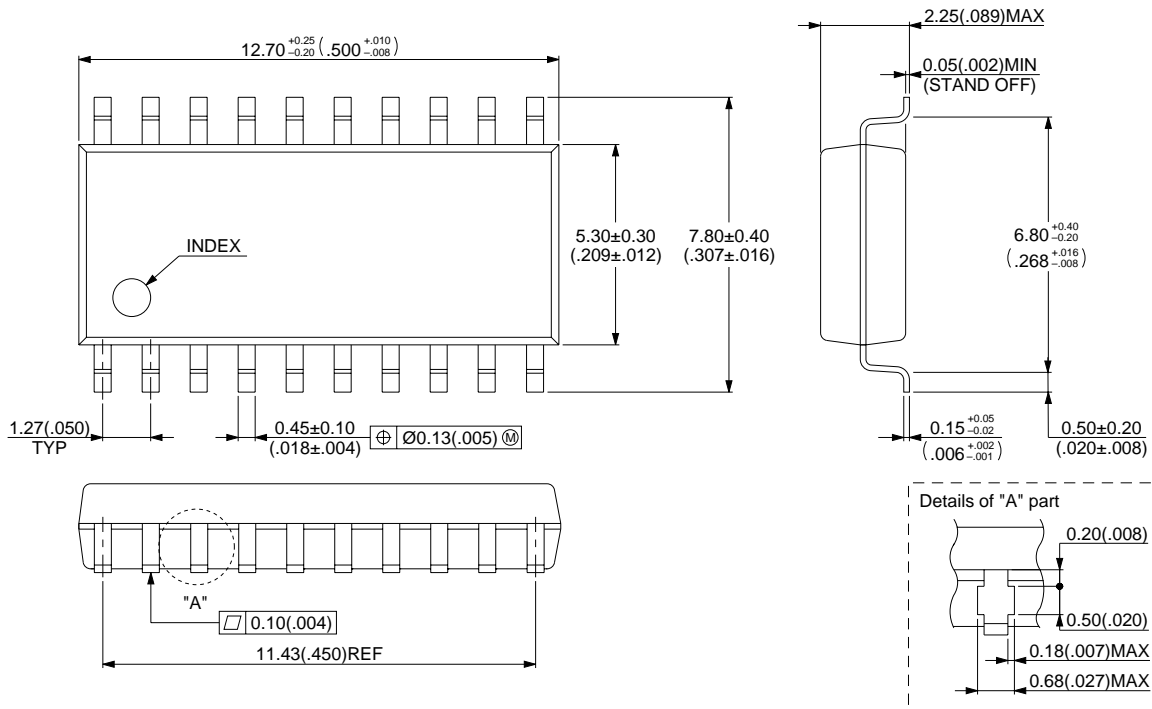
© 1994 FUJITSU LIMITED D18009S-3C-3

Dimensions in mm (inches)

(Continued)

(Continued)

20-pin Plastic SOP (FPT-20P-M01)



© 1994 FUJITSU LIMITED F20003S-5C-4

Dimensions in mm (inches)

FUJITSU LIMITED

For further information please contact:

Japan

FUJITSU LIMITED
Corporate Global Business Support Division
Electronic Devices
KAWASAKI PLANT, 4-1-1, Kamikodanaka
Nakahara-ku, Kawasaki-shi
Kanagawa 211-88, Japan
Tel: (044) 754-3763
Fax: (044) 754-3329

North and South America

FUJITSU MICROELECTRONICS, INC.
Semiconductor Division
3545 North First Street
San Jose, CA 95134-1804, U.S.A.
Tel: (408) 922-9000
Fax: (408) 432-9044/9045

Europe

FUJITSU MIKROELEKTRONIK GmbH
Am Siebenstein 6-10
63303 Dreieich-Buchsschlag
Germany
Tel: (06103) 690-0
Fax: (06103) 690-122

Asia Pacific

FUJITSU MICROELECTRONICS ASIA PTE. LIMITED
#05-08, 151 Lorong Chuan
New Tech Park
Singapore 556741
Tel: (65) 281-0770
Fax: (65) 281-0220

All Rights Reserved.

Circuit diagrams utilizing Fujitsu products are included as a means of illustrating typical semiconductor applications. Complete information sufficient for construction purposes is not necessarily given.

The information contained in this document has been carefully checked and is believed to be reliable. However, Fujitsu assumes no responsibility for inaccuracies.

The information contained in this document does not convey any license under the copyrights, patent rights or trademarks claimed and owned by Fujitsu.

Fujitsu reserves the right to change products or specifications without notice.

No part of this publication may be copied or reproduced in any form or by any means, or transferred to any third party without prior written consent of Fujitsu.

The information contained in this document are not intended for use with equipments which require extremely high reliability such as aerospace equipments, undersea repeaters, nuclear control systems or medical equipments for life support.