

1. Descriptions

The KV3528O60A1I-H is a small and thin form plastic leaded chip carrier(PLCC) 2-pin package with AllnGaP Orange LED.

2. Features

- ◆ Small Footprint Surface Mount Package (3.5 L × 2.8 W × 1.9 H [mm])
- ◆ Typical Forward Voltage(V_F) : 2.0 V @ Forward Current(I_F)=20mA
- ◆ Operation Temperature from -40°C to +100°C
- ◆ Soldering methods : IR reflow soldering
- ◆ Taping : 8mm conductive black carrier tape & antistatic clear cover tape

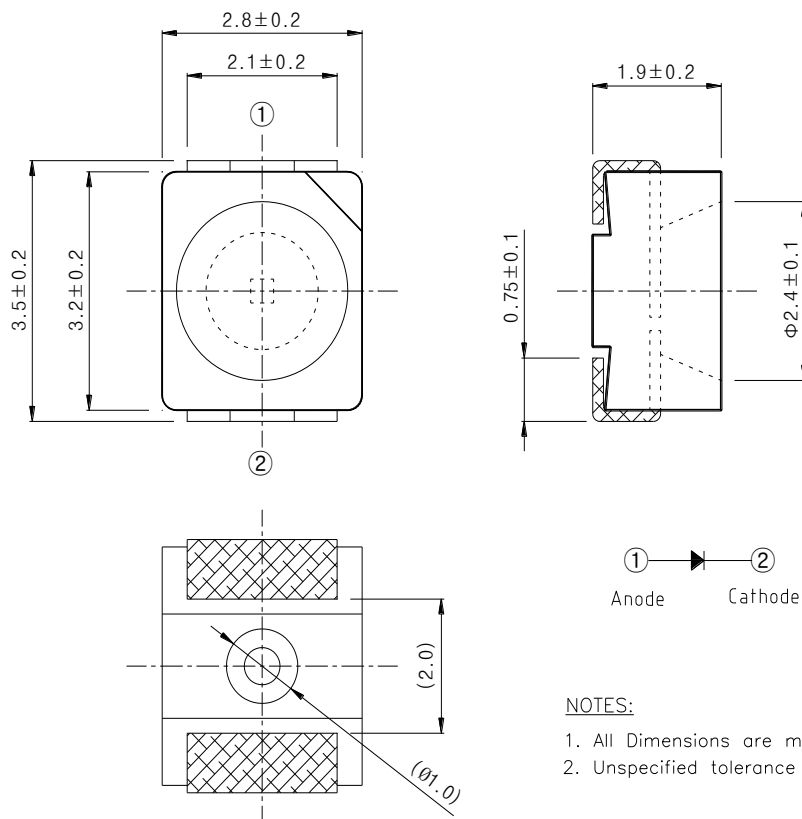
3. Applications

- ◆ Interior lighting
- ◆ General lighting
- ◆ Indoor and out door displays
- ◆ Architectural / Decorative lighting

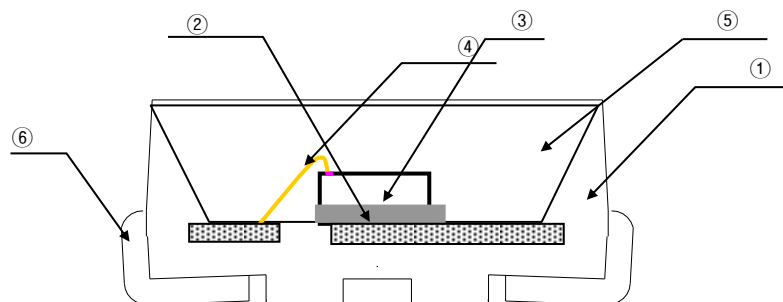
The contents of this data sheet are subject to change without advance notice for the purpose of improvement.
When using this product, would you please refer to the latest specifications.

4. Outline Dimensions and Material Descriptions

◆ Outline Dimensions



◆ Material Descriptions



No.	ITEM	Material
①	Frame Resin	Polyamide
②	Paste	Ag Epoxy
③	LED Chip	AlInGaP
④	Wire	Au
⑤	Encapsulant	Clear Silicone
⑥	Electrode	Cu alloy

The contents of this data sheet are subject to change without advance notice for the purpose of improvement.
When using this product, would you please refer to the latest specifications.

5. Absolute Maximums

Item	Symbol	Min.	Max.	Unit	Conditions
Forward Current	I_F	-	30	mA	
Peak Forward Current* ¹	I_{FP}	-	60	mA	
Power Dissipation	P_D	-	75	mW	
Reverse Voltage	V_R	9	-	V	
Operating Temperature	T_{OP}	-40	100	°C	
Storage Temperature	T_S	-40	100	°C	
Soldering Temperature* ²	T_{sol}	-	260	°C	

*1. IFP was measured at $T_w \leq 1$ msec of pulse width and $D \leq 1/10$ of duty ratio.

*2. Soldering time : 5 Sec

6. Electro-Optical Characteristics ($T_A = 25^\circ\text{C}$)

Item	Symbol	Min.	Typ.	Max.	Unit	Conditions
Forward voltage* ³	V_F	1.7	2.0	2.5	V	$I_F=20\text{mA}$
Reverse current	I_R	-	-	2	μA	$V_R=5\text{V}$
Luminous intensity* _{1,3}	I_V	0.7	1.1	1.8	cd	$I_F=20\text{mA}$
Dominant wavelength	W_D	599	605	611	nm	$I_F=20\text{mA}$
Half angle* ²	$2\theta_{1/2}$	-	120	-	deg	$I_F=20\text{mA}$

*1. The luminous intensity I_V was measured at the peak of the spatial pattern which may not be aligned with the mechanical axis of the LED package.

*2. $2\theta_{1/2}$ is the off-axis where the luminous intensity is 1/2 of the peak intensity.

*3. Measuring Tolerance

- $V_F : \pm 0.1 \text{ V}$, $I_V : \pm 10\%$, $R_a : \pm 3$, $X, Y : \pm 0.01$

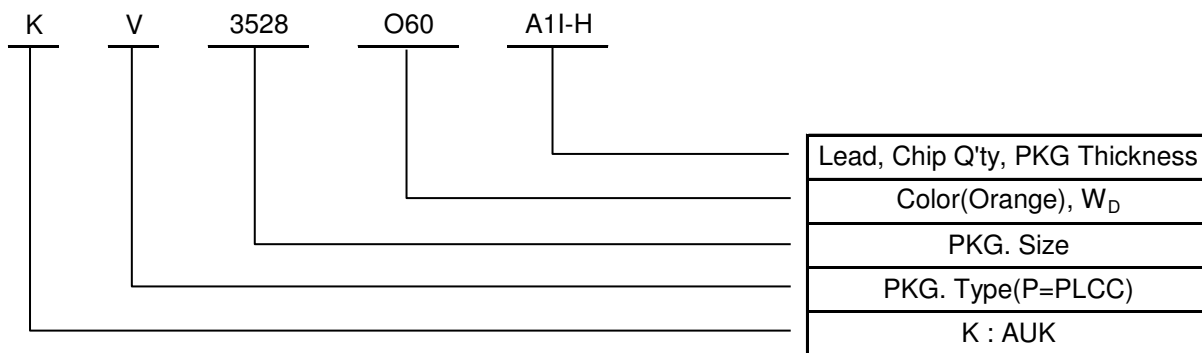
The contents of this data sheet are subject to change without advance notice for the purpose of improvement.
When using this product, would you please refer to the latest specifications.

7. Ranks

◆ $V_F, I_V, W_D @ I_F = 20 \text{ mA}$

Forward Voltage [V]	Luminuous Intensity [cd]	Wavelength [nm]
1 : 1.7 ~ 2.1	O : 0.7 ~ 0.9	a : 599 ~ 602
2 : 2.1 ~ 2.5	P : 0.9 ~ 1.1	b : 602 ~ 604
3 : 2.5 ~ 2.9	Q : 1.1 ~ 1.3	c : 604 ~ 606
4 : 2.9 ~ 3.3	R : 1.3 ~ 1.5	d : 606 ~ 608
5 : 3.3 ~ 3.7	S : 1.5 ~ 1.8	e : 608 ~ 611

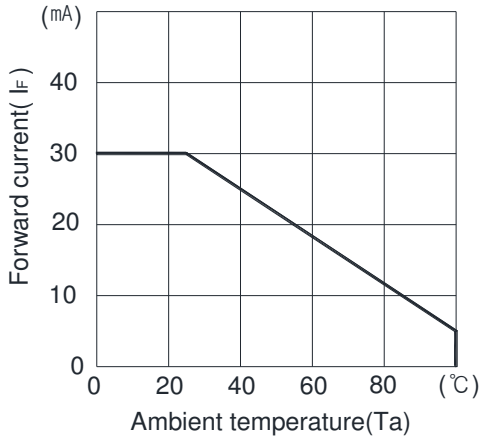
8. Part Numbering



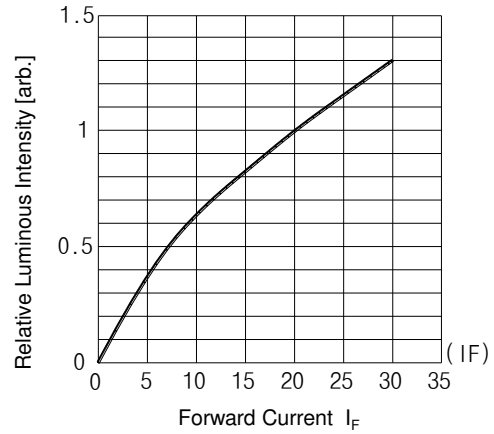
The contents of this data sheet are subject to change without advance notice for the purpose of improvement.
 When using this product, would you please refer to the latest specifications.

9. Characteristic Graphs

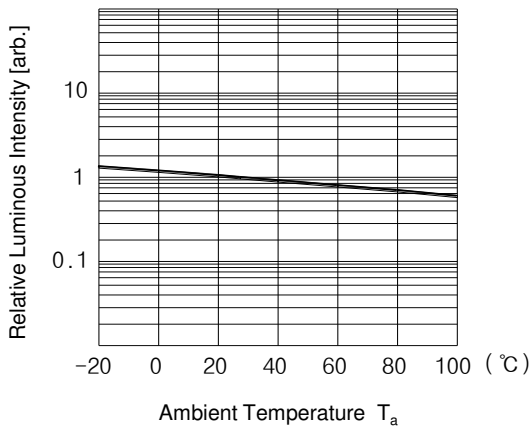
Forward Current Vs Ambient Temperature



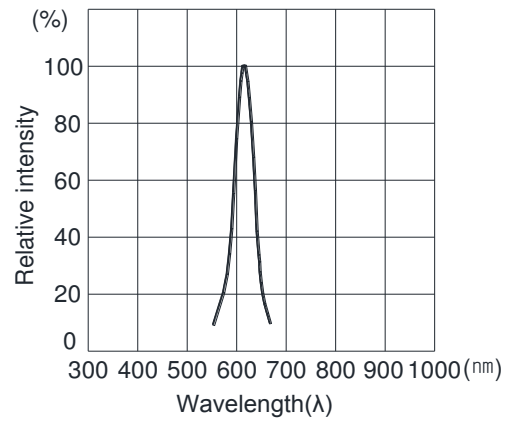
Relative Luminous Intensity vs. Forward Current



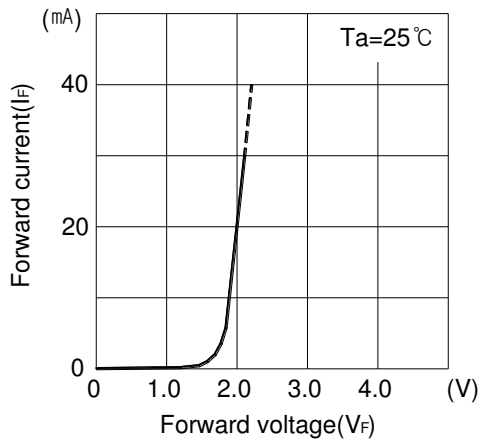
Relative luminous Intensity vs. Ambient Temperature



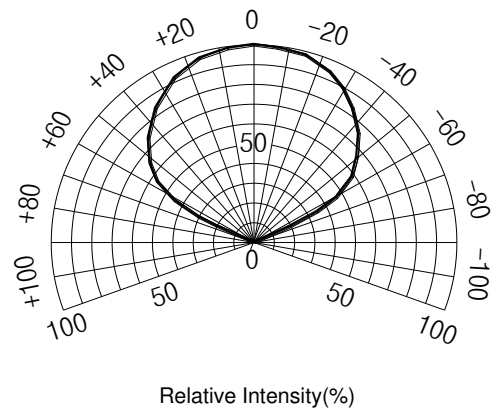
Relative Intensity vs. Wavelength



Forward Current vs. Forward Voltage



Radiant Pattern



The contents of this data sheet are subject to change without advance notice for the purpose of improvement. When using this product, would you please refer to the latest specifications.